

STANDARD CONSTRUCTION

FRAME: .081" thick (nominal) extruded aluminum, 6063-T52/T6 alloy.

BLADE: .060" thick (nominal) extruded aluminum, 6063-T52/T6 alloy. Blades approximately 2 1/4" on centers.

LOUVER FACE: Head and blades contained in jambs. Sill contains jambs.

SCREEN: (When indicated.)

1/2" flattened aluminum (.051" thick),

-or- 1/2" sq. mesh, intermediate double-crimped aluminum wire, .063" dia.,

-or- 18/16 mesh, .011" dia. aluminum wire, insect screen.

FINISH: Mill

OPTIONS

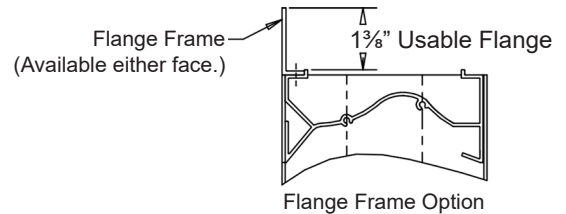
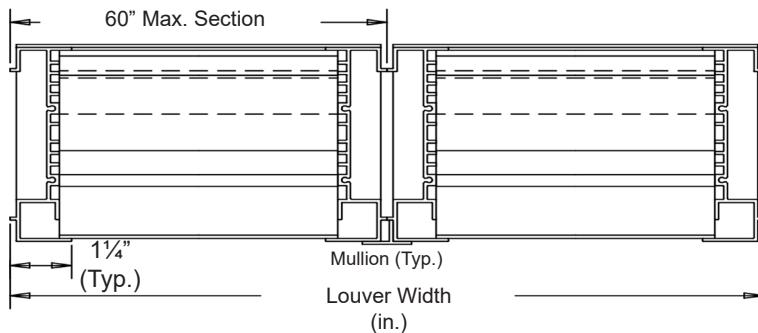
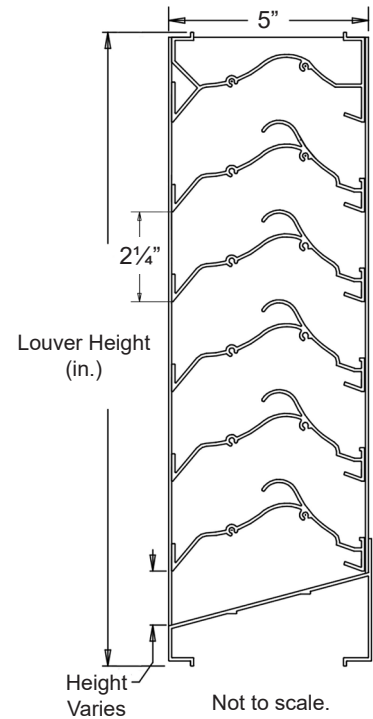
Finish - Baked Enamel, Kynar, Anodize

NOTES

1. Nominal deductions will be made to the opening size given.
2. Louvers larger than the maximum factory assembled size will require field assembly of smaller louver sections.
3. Approximate shipping weight is 5.5 lbs./sq.ft.

LOUVER SIZES

Min Panel	Max Single Panel
12"W x 12"H	40 sq. ft.



Item #	Qty	Width	Height	Width	Height	Mullion	Type	Location	Union Made
		Opening Size		Louver Size			Screens		
Arch. / Eng. :						EDR:	ECN:	Job:	
Contractor:									
Project:						Date:	DWN:	DWG:	

In the interest of product development, Louvers & Dampers reserves the right to make changes without notice.

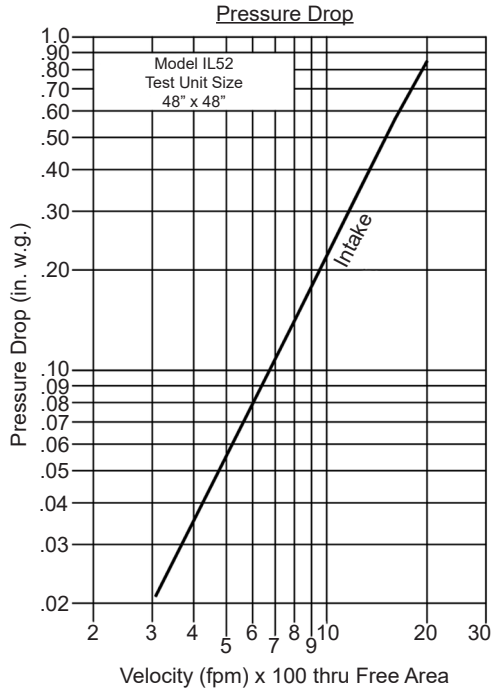
PERFORMANCE DATA

Pressure Drop: .208 in. w.g. at 1000 fpm (intake)

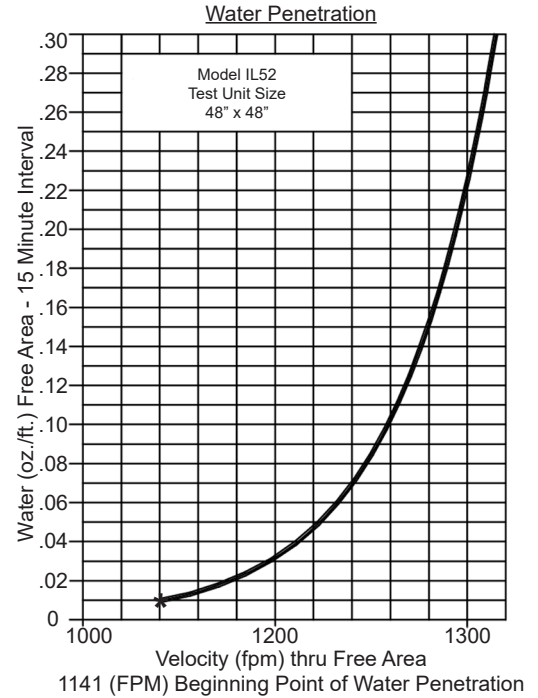
Free Area: 7.73 sq.ft. = 48.3% for 48"W x 48"H sample tested in accordance with AMCA Standard 500-L.

Beginning Point of Water Penetration: 1141 fpm

Ratings do not include the effects of a screen.



Intake air converted to standard air density.
Tested to AMCA Standard 500-L, Figure 5.5.



		Free Area (sq.ft.)									
		Width (in.)									
		12"	24"	36"	48"	60"	72"	84"	96"	108"	120"
Height (in.)	12"	.26	.59	.92	1.25	1.58	1.90	2.23	2.56	2.89	3.22
	24"	.68	1.55	2.41	3.27	4.14	5.00	5.86	6.73	7.59	8.46
	36"	1.11	2.50	3.90	5.30	6.70	8.10	9.50	10.89	12.29	13.69
	48"	1.61	3.65	5.69	7.73	9.77	11.81	13.85	15.89	17.93	19.97
	60"	2.04	4.61	7.19	9.76	12.33	14.91	17.48	20.06	22.63	25.21
	72"	2.46	5.57	8.68	11.79	14.90	18.00	21.11	24.22	27.33	30.44
	84"	2.97	6.72	10.47	14.22	17.97	21.72	25.47	29.22	32.97	36.72
	96"	3.39	7.68	11.96	16.25	20.53	24.82	29.10	33.39	37.67	41.96
	108"	3.82	8.63	13.45	18.27	23.09	27.91	32.73	37.55	42.37	47.19
	120"	4.32	9.78	15.25	20.71	26.17	31.63	37.09	42.55	48.01	53.47



Louvers & Dampers certifies that the Model IL52 shown herein is licensed to bear the AMCA Seal. The ratings shown are based on tests and procedures performed in accordance with AMCA Publication 511 and comply with the requirements of the AMCA Certified Ratings Program. The AMCA Certified Ratings Seal applies to Water Penetration and Air Performance ratings only.